



Drafting Virtual Learning

HS Machine Drafting

Design Lesson 1

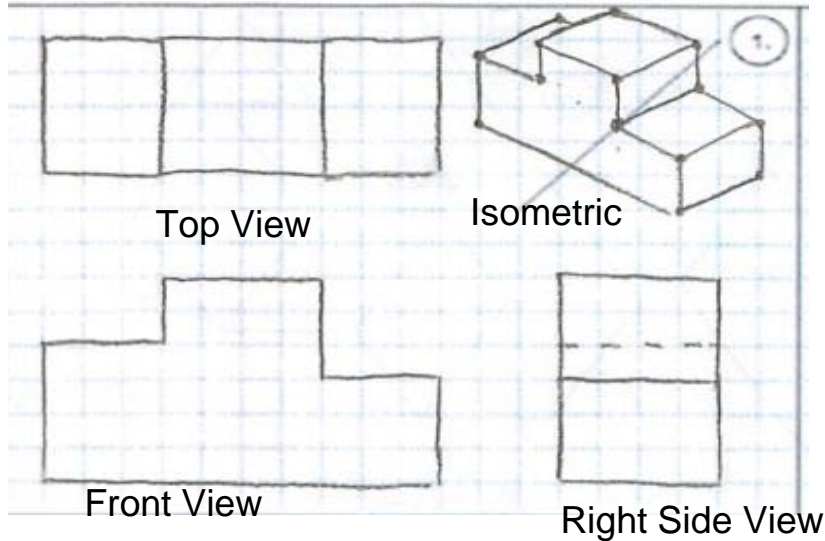
April 6 , 2020



Objective/Learning Target:
Students will Draw Complex
Multi-View Sheet Drawings.

Bellwork:

Copy this example into your engineers notebook or print graph paper from page 7 to draw on.



Multi-View Drawing Example

Let's Get Started:

Watch this video about creating a multi-view drawing.

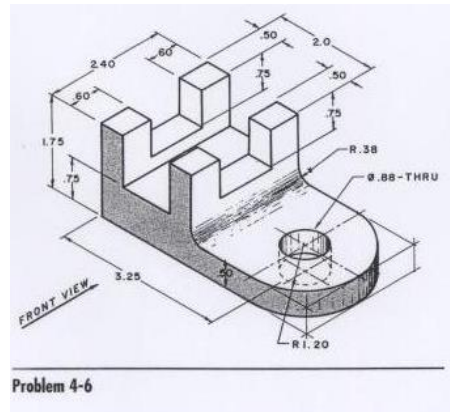
<https://www.youtube.com/watch?v=Evqg0L4KMI8>

Notice the placement of the Front, Top and Right Side Views in relation to the Isometric.

Learning Practice:

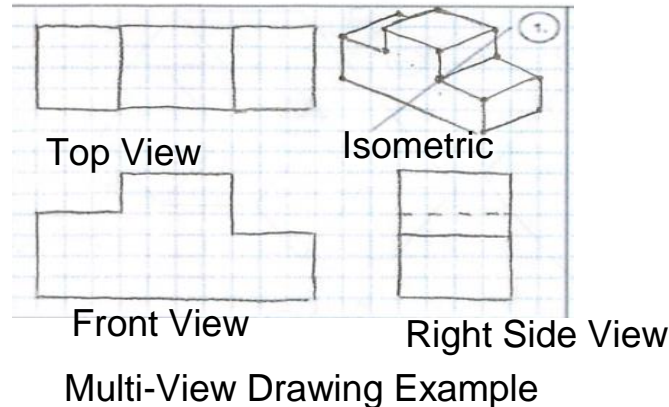
Complete the practice learning activity below in your engineers notebook or on the graph paper you printed.

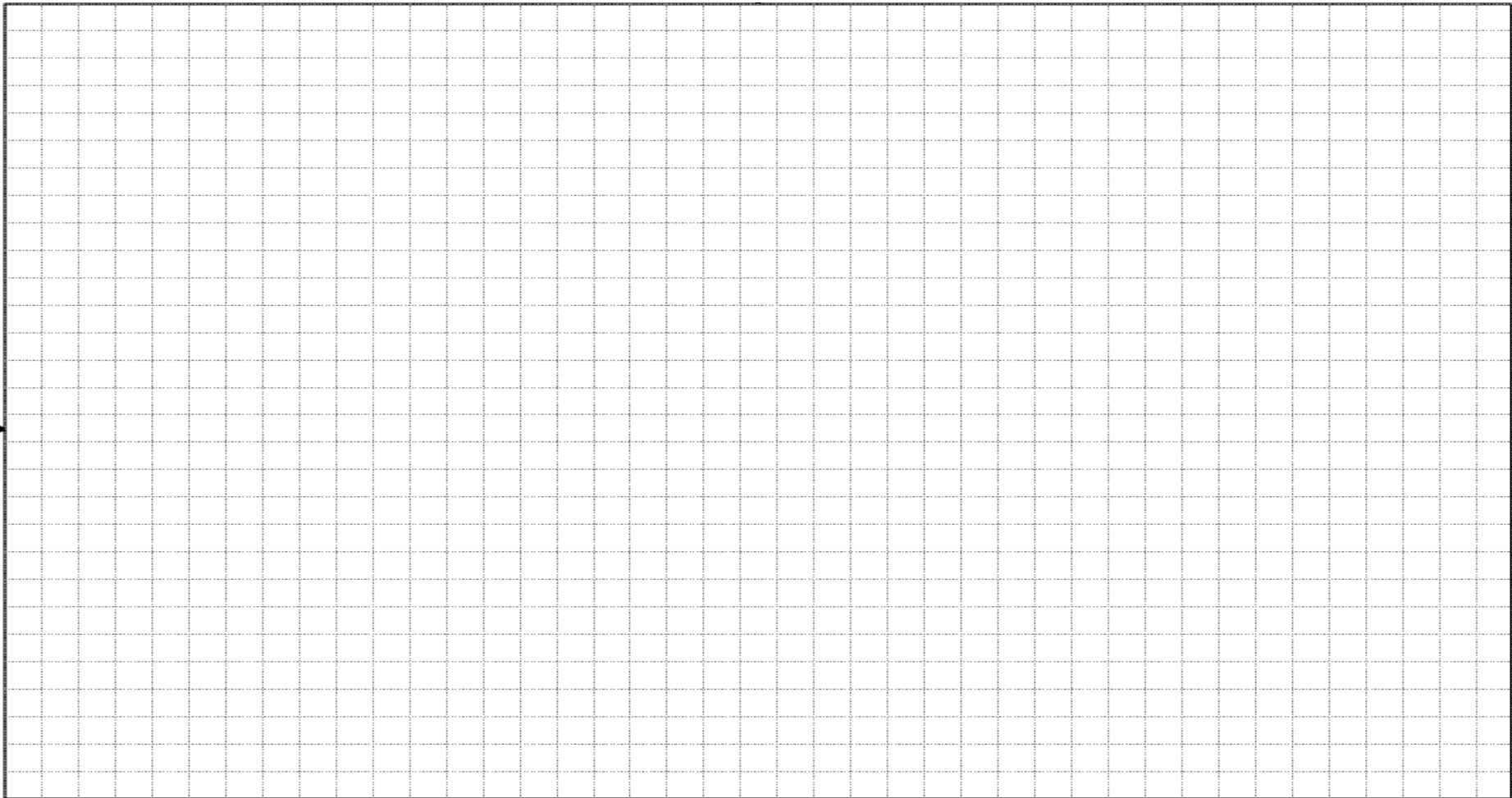
Create a Multi-View Sheet Drawing in Your Engineers Notebook or on the graph provided of the following part. Don't Forget a Front, Top and Right Side View with an Isometric Sketch.



Check For Understanding:

Don't worry about drawing accuracy for today we will work on that in the next few days. For today, check to make sure your views are in the correct spot using the bell-work you copied down at the beginning of this lesson.





NAME

TITLE

DATE

PERIOD

Learning Resource Links:

<https://www.youtube.com/watch?v=Evqg0L4KMI8>